

Technical Information Rotor Weighfeeder Pfister® TRW



Powerful handling of coarse and hot materials

Whether dosing materials to the raw and finish mill or clinker pre-loading, the robust design of rotor weighfeeder Pfister® TRW is ideal for metering coarse bulk materials such as clinker, pre-ground cement, limestone, gypsum etc. with high constancy and precision. Due to the integration of

material extraction, weighing and dosing the system is easy to operate and thus extremely reliable.

**Rotor weighfeeder
Pfister TRW® + prospective
control ProsCon®:
Dosing to perfection.**



Application fields: Grinding process and pre-loading

Materials: Bulk materials such as limestone, gypsum, pre-ground cement, clinker

Dosing capacity: Up to 400 t/h

Design example:

- Calibration bin
- Bin load cells
- Needle gate
- Rotor weighfeeder Pfister® TRW

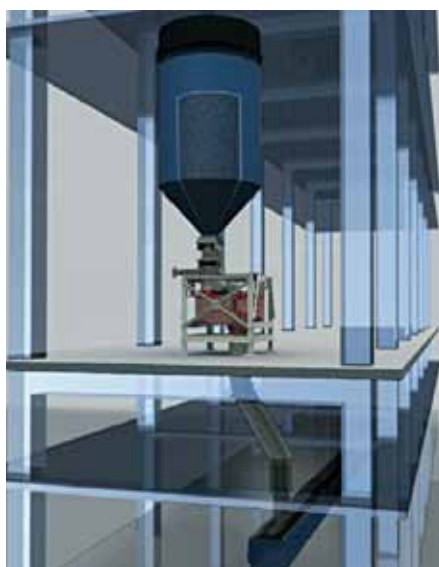
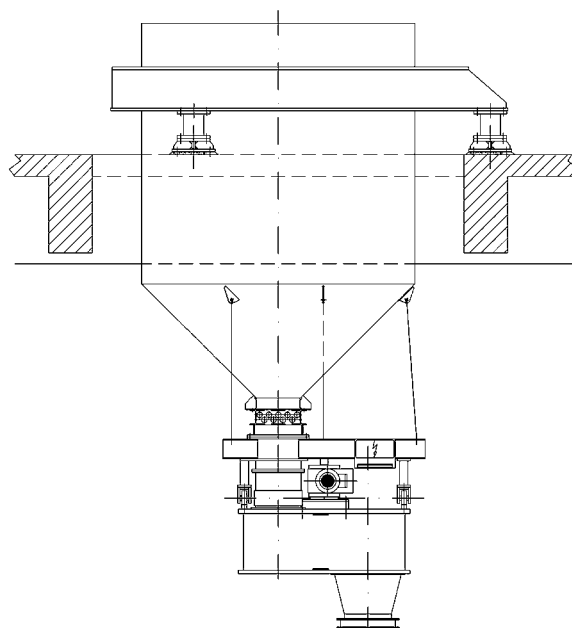
Features:

- Stable material dosing
- Outstanding reliability
- High short- and long-term accuracy
- Compact, robust and closed design
- High measuring loads
- Large feeding range
- Online calibration possible
- Simple and modular design
- Slowly moving rotor
- Easy to maintain

Dosing control:

- Feeder dosing controller Pfister® FDC
- Prospective control ProsCon®
- FlowBalance™ control
- User oriented interfaces
- Remote service access available

Certificates: ISO 9001



FLSmidth Pfister GmbH

Staetzlinger Strasse 70
86165 Augsburg
Germany
Tel: +49 (0) 821 79 49 280
Fax: +49 (0) 821 79 49 270
E-mail: sales@flsmidthpfister.com

www.flsmidthpfister.com

